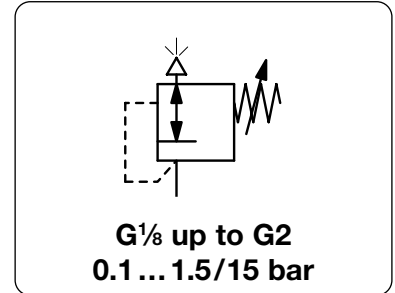


BACK PRESSURE REGULATOR

	DESCRIPTION	OVERPRESSURE	ADJUSTMENT RANGE	CONNECTION	DEVICE	PAGE
		max. bar	bar	thread		
STANDARD	aluminium	30	0.2 ... 1.5 / 15	G $\frac{1}{8}$ - G2	DBC	8.02
	brass	65	0.2 ... 1.5 / 50	G $\frac{1}{8}$ - G2	DBM	8.04
	- 40 °C	65	0.2 ... 1.5 / 50	G $\frac{1}{4}$ - G1	DBM-X51	8.05
	+130 °C	65	0.2 ... 1.5 / 50	G $\frac{1}{8}$ - G $\frac{1}{2}$	DBM-X54	8.05
PRECISE	high-precision	35	0.01 ... 0.14 / 28	G $\frac{1}{4}$ - G $\frac{1}{2}$	10BP	8.06
	free of non-ferrous metal	35	0.01 ... 0.14 / 28	G $\frac{1}{4}$ - G $\frac{1}{2}$	10BP-X63	8.06
	aluminium	17	0.01 ... 0.14 / 10	G $\frac{1}{4}$ - $\frac{1}{2}$ "NPT	DB240	8.07
	aluminium	10	0.001 ... 0.14 / 7	G $\frac{1}{4}$ and G $\frac{3}{8}$	DB300	8.09
	aluminium	17	0.03 ... 0.7 / 10	G $\frac{3}{8}$ - G $\frac{3}{4}$	DB400	8.10
LOW PRESSURE	precise	10	0.002... 0.035 / 0.8	G $\frac{1}{4}$ - G $\frac{1}{2}$	DB110	8.08
	precise	6	0.005... 0.045 / 3	G $\frac{1}{2}$ - G2	DBC	8.11
PILOT-OPERATED	precise	17	0 ... 10	G $\frac{1}{4}$ - G $\frac{1}{2}$	DB208	8.12
	precise	17	0 ... 10	G $\frac{3}{8}$ - G $\frac{3}{4}$	DB450	8.13
MINIATURE	screw-in, knurled screw	21	1.7 ... 2.4 / 14	G $\frac{1}{4}$ m	59	8.14
	screw-in, plastic knob	21	0 ... 3.5 / 7	G $\frac{1}{4}$ m	130	8.14
	tapped exhaust	21	0 ... 1.0 / 7	G $\frac{1}{4}$	134	8.14
STAINLESS STEEL	for many gases, FDA also	65	0.1 ... 1.5 / 50	G $\frac{1}{8}$ - G2	D3000	15.22
	- 40 °C	65	0.2 ... 1.5 / 50	G $\frac{1}{8}$ - G $\frac{1}{2}$	D3000-X51	15.25
	+130 °C	65	0.1 ... 1.5 / 50	G $\frac{1}{4}$ - G2	D3000-X54	15.25
	low pressure	6	0.005... 0.045 / 3	G $\frac{1}{2}$ - G2	D3100	15.26



Description	Back pressure regulators protect pneumatic devices against overpressure. If the pressure exceeds the setpoint, the pressure valve exhausts to the atmosphere until the pressure level is below the setpoint. It is advisable to select the pressure range as near as possible to the maximum setpoint.		
Media	compressed air or non-corrosive gases		
Overpressure	max. 30 bar		
Adjustment	by plastic knob with snap-lock for DBC-01, by T-handle with locknut for DBC-06 to -16	by handwheel for DBC-02 to -A6	
Gauge port	G $\frac{1}{8}$ at DBC-01, G $\frac{1}{4}$ from DBC-02 on, on both sides of the body, screw plugs supplied		
Mounting position	any		
Temperature range	0 °C to 60 °C / 32 °F to 140 °F, for appropriately conditioned compressed air down to -20 °C / -4 °F		
Material	Body: aluminium Diaphragm: NBR/Buna-N with PTFE coating	O-rings: NBR/Buna-N, optionally FKM or EPDM	Inner valve: brass



Dimensions			Regul. system	Relief capacity	Over-pressure	Connection thread	Adjustment range	Order number
A	B	C	D: diaphragm P: piston	l/min*1	max. bar	G	bar	
mm	mm	mm						

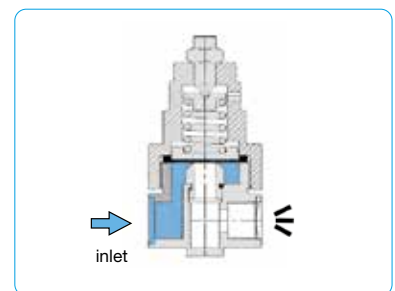
Aluminium back pressure regulator				overpressure max. 30 bar	DBC			
40	78	13	D	200	30	G $\frac{1}{8}$	0.2 ... 1.5 0.3 ... 3.0 0.8 ... 8.0 1.5 ... 15	DBC-01A DBC-01B DBC-01D DBC-01E
40	78	13	D	200	30	G $\frac{1}{4}$	0.2 ... 1.5 0.3 ... 3.0 0.8 ... 8.0 1.5 ... 15	DBC-A2A DBC-A2B DBC-A2D DBC-A2E
78	166	33	D	400	30	G $\frac{1}{4}$	0.2 ... 1.5 0.3 ... 3.0 0.8 ... 8.0 1.5 ... 15	DBC-02A DBC-02B DBC-02D DBC-02E
78	166	33	D	500	30	G $\frac{3}{8}$	0.2 ... 1.5 0.3 ... 3.0 0.8 ... 8.0 1.5 ... 15	DBC-03A DBC-03B DBC-03D DBC-03E
82	175	38	D	2200	30	G $\frac{1}{2}$	0.2 ... 1.5 0.3 ... 3.0 0.8 ... 8.0 1.5 ... 15	DBC-04A DBC-04B DBC-04D DBC-04E
82	175	38	D	2500	30	G $\frac{3}{4}$	0.2 ... 1.5 0.3 ... 3.0 0.8 ... 8.0 1.5 ... 15	DBC-A6A DBC-A6B DBC-A6D DBC-A6E



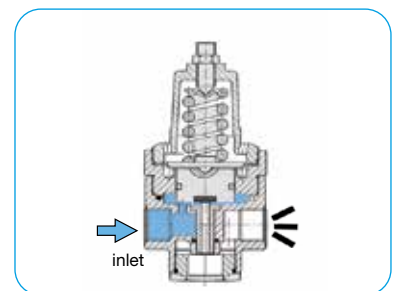
DBC-01/-A2



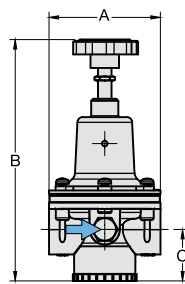
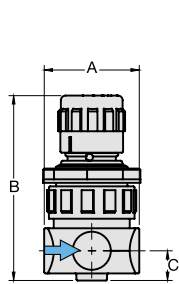
DBC-04/-A6



cross-section with diaphragm (D)



cross-section with piston (P)



*1 at 7 bar overpressure and open outlet

* Product group

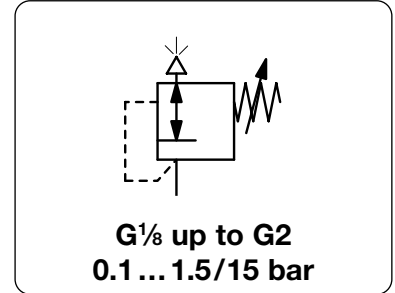
Gauges: see chapter for measuring devices

PDF CAD
www.aircom.net



Order example:
DBC-01A

Description	Back pressure regulators protect pneumatic devices against overpressure. If the pressure exceeds the setpoint, the pressure valve exhausts to the atmosphere until the pressure level is below the setpoint. It is advisable to select the pressure range as near as possible to the maximum setpoint.		
Media	compressed air or non-corrosive gases		
Overpressure	max. 30 bar		
Adjustment	by plastic knob with snap-lock for DBC-01, by handwheel for DBC-02 to -A6 by T-handle with locknut for DBC-06 to -16		
Gauge port	G $\frac{1}{8}$ at DBC-01, G $\frac{1}{4}$ from DBC-02 on, on both sides of the body, screw plugs supplied		
Mounting position	any		
Temperature range	0 °C to 60 °C / 32 °F to 140 °F, for appropriately conditioned compressed air down to -20 °C / -4 °F		
Material	Body: aluminium	O-rings: NBR/Buna-N, optionally FKM or EPDM	Inner valve: brass
	Diaphragm: NBR/Buna-N with PTFE coating		



Dimensions			Regul. system	Relief capacity	Over-pressure	Connection thread	Adjustment range	Order number
A	B	C	D: diaphragm	P: piston	l/min*1	max. bar	G	bar
mm	mm	mm						

Aluminium back pressure regulator							overpressure max. 30 bar	DBC
215	393	128	P	12000	30	G1 $\frac{1}{2}$	0.2 ... 1.5	DBC-12A
							0.3 ... 3.0	DBC-12B
							0.8 ... 8.0	DBC-12D
							1.5 ... 15	DBC-12E
215	393	128	P	12000	30	G2	0.2 ... 1.5	DBC-16A
							0.3 ... 3.0	DBC-16B
							0.8 ... 8.0	DBC-16D
							1.5 ... 15	DBC-16E



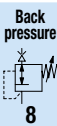
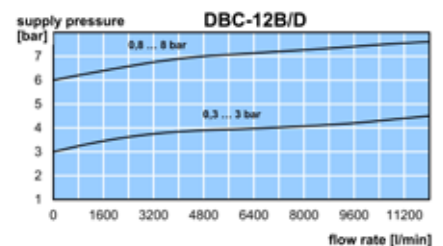
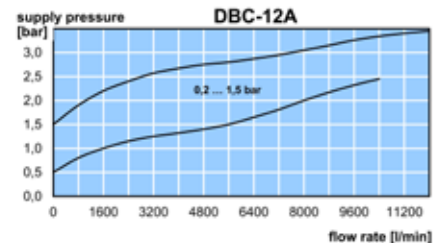
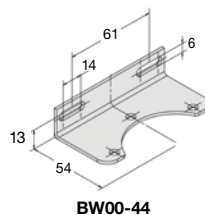
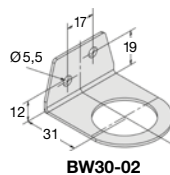
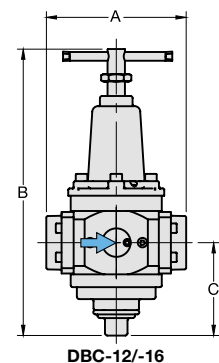
DBC-12/-16
accessory pressure gauge

Special options, add the appropriate letter

NPT	connection thread	from G $\frac{1}{4}$ (02)	DBC-... N
FKM o-ring	PTFE-diaphragm		DBC-... V
EPDM o-ring	PTFE-diaphragm		DBC-... E
flange connection	see chapter for stainless steel devices / flanges		DBC-... F.

Accessories, enclosed

pressure gauges	Ø 50 mm, 0...*2 bar, G $\frac{1}{4}$	for G $\frac{1}{4}$	MA5002-...*2
pressure gauges	Ø 63 mm, 0...*2 bar, G $\frac{1}{4}$	from G $\frac{1}{2}$	MA6302-...*2
mounting bracket	made of steel	for G $\frac{1}{8}$ and G $\frac{1}{4}$ (A2)	BW30-02
mounting nut	made of aluminium	for G $\frac{1}{8}$ and G $\frac{1}{4}$ (A2)	M30x1,5A
mounting bracket	made of steel	for G $\frac{1}{4}$ (02) to G $\frac{3}{4}$ (A6)	BW00-44
set of mount. brackets	made of steel	for G1 $\frac{1}{2}$ and G2	BW00-61



*1 at 7 bar overpressure and open outlet

*2 02 = 0...2.5 bar, 04 = 0...4 bar, 06 = 0...6 bar, 10 = 0...10 bar, 16 = 0...16 bar

Gauges: see chapter for measuring devices

PDF CAD
www.aircom.net

* Product group

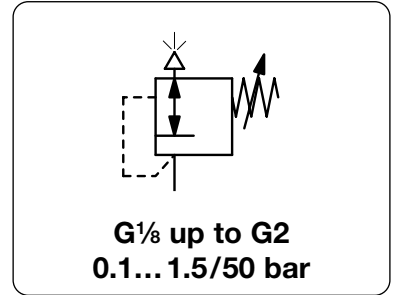


Order example:
DBC-06A

BRASS BACK PRESSURE REGULATOR, UP TO 50 BAR

DBM

Description	Back pressure regulators protect pneumatic devices against overpressure. If the pressure exceeds the setpoint, the pressure valve exhausts to the atmosphere until the pressure level is below the setpoint. It is advisable to select the pressure range as near as possible to the maximum setpoint.		
Media	compressed air, non-corrosive gases or liquids	Overpressure	see chart, max. 70 bar
Adjustment	by black plastic knob with snap-lock for DBM-02/-03 by T-handle with locknut for DBM-04 to -16		
Gauge port	G $\frac{1}{4}$ on both sides of the body, from DBC-02 on screw plugs supplied		
Temperature range	0 °C to 80 °C / 32 °F to 176 °F for FKM or EPDM 0 °C to 130 °C / 32 °F to 266 °F high temperature version, for appropriately conditioned compressed air down to -20 °C / -4 °F, or low temperature version down to -40 °C / -40 °F		
Mounting position	any		
Material	Body: brass Diaphragm: NBR/Buna-N with PTFE coating	O-rings: FKM, optionally EPDM Inner valve: brass	

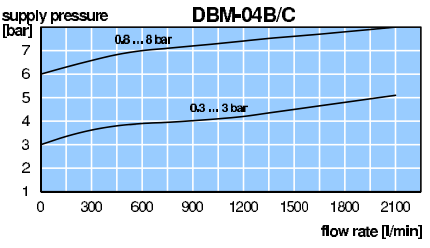
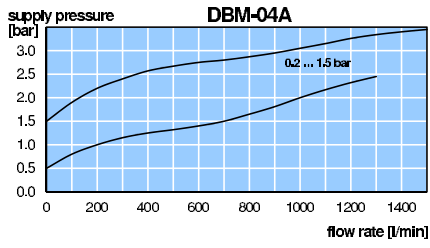
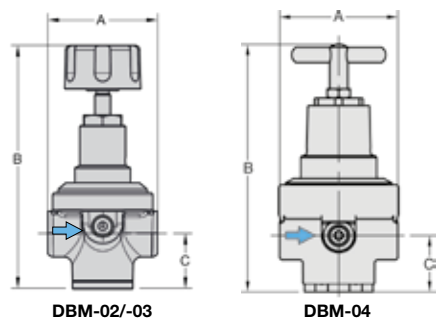


Dimensions			Regul. system	Relief capacity	Over-pressure	Connection thread	Adjustment range	Order number
A	B	C	D: diaphragm P: piston	l/min*1	max. bar	G	bar	

Brass back pressure regulator								overpressure max. 30/65 bar	DBM
69	150	35	D	800	30	G $\frac{1}{4}$	0.2 ... 1.5	DBM-02A	
							0.3 ... 3.0	DBM-02B	
							0.8 ... 8.0	DBM-02D	
							1.5 ... 15	DBM-02E	
69	145	35	P		65		3.0 ... 30	DBM-02F	
69	160	35					5.0 ... 50	DBM-02G	
69	150	35	D	800	30	G $\frac{3}{8}$	0.2 ... 1.5	DBM-03A	
							0.3 ... 3.0	DBM-03B	
							0.8 ... 8.0	DBM-03D	
							1.5 ... 15	DBM-03E	
69	145	35	P		65		3.0 ... 30	DBM-03F	
69	160	35					5.0 ... 50	DBM-03G	
78	170	38	D	2500	30	G $\frac{1}{2}$	0.2 ... 1.5	DBM-04A	
							0.3 ... 3.0	DBM-04B	
							0.8 ... 8.0	DBM-04D	
							1.5 ... 15	DBM-04E	
78	170	38	P		65		3.0 ... 30	DBM-04F	
							5.0 ... 50	DBM-04G	
118	291	66	D	8000	30	G $\frac{3}{4}$	0.2 ... 1.5	DBM-06A	
							0.3 ... 3.0	DBM-06B	
							0.8 ... 8.0	DBM-06D	
							1.5 ... 15	DBM-06E	
118	313	66	P		65		3.0 ... 30	DBM-06F	
							5.0 ... 50	DBM-06G	
118	291	66	D	8000	30	G1	0.2 ... 1.5	DBM-08A	
							0.3 ... 3.0	DBM-08B	
							0.8 ... 8.0	DBM-08D	
							1.5 ... 15	DBM-08E	
118	313	66	P		65		3.0 ... 30	DBM-08F	
							5.0 ... 50	DBM-08G	



Back pressure



*1 at 7 bar overpressure and open outlet
*2 02 = 0...2.5 bar, 04 = 0...4 bar, 06 = 0...6 bar, 10 = 0...10 bar, 16 = 0...16 bar, 25 = 0...25 bar 60 = 0...60 bar

* Product group

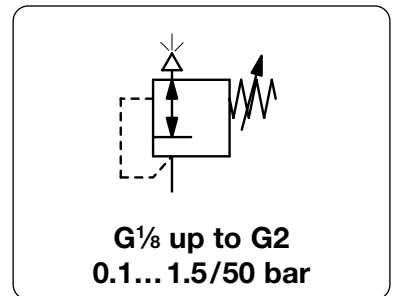
Gauges: see chapter for measuring devices

PDF CAD
www.aircom.net



Order example:
DBM-02A

Description	Back pressure regulators protect pneumatic devices against overpressure. If the pressure exceeds the setpoint, the pressure valve exhausts to the atmosphere until the pressure level is below the setpoint. It is advisable to select the pressure range as near as possible to the maximum setpoint.		
Media	compressed air, non-corrosive gases or liquids	Overpressure	see chart, max. 70 bar
Adjustment	by spindle with locknut for DBM-01 by T-handle with locknut for DBM-04/-08	by black plastic knob with snap-lock for DBM-02/-03 by hexagonal spindle (spanner size 24 mm) with locknut for DBM-12/-16	
Gauge port	G $\frac{1}{4}$ on both sides of the body, from DBC-02 on	G $\frac{1}{2}$ at DBM-01, screw plugs supplied	
Temperature range	0 °C to 80 °C / 32 °F to 176 °F for FKM or EPDM 0 °C to 130 °C / 32 °F to 266 °F high temperature version, for appropriately conditioned compressed air down to -20 °C / -4 °F, or low temperature version down to -40 °C / -40 °F		
Mounting position	any		
Material	Body: brass Diaphragm: NBR/Buna-N with PTFE coating	O-rings: FKM, optionally EPDM Inner valve: brass	



Dimensions			Regul. system	Relief capacity	Over-pressure	Connection thread	Adjustment range	Order number
A	B	C	D: diaphragm P: piston	l/min*1	max. bar	G	bar	

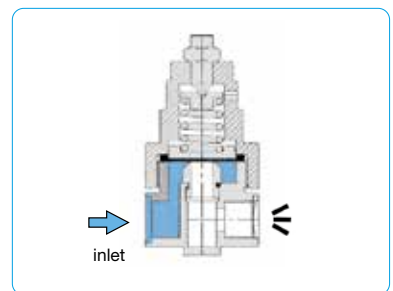
Brass back pressure regulator						overpressure max. 70 bar	DBM	
174	283	35	P	28000	70	G $\frac{1}{2}$	0.2... 1.5	DBM-12A
							0.3... 3.0	DBM-12B
							0.8... 8.0	DBM-12D
							1.5... 15	DBM-12E
							3.0... 30	DBM-12F
							5.0... 50	DBM-12G
174	283	35	K	28000	70	G2	0.2... 1.5	DBM-16A
							0.3... 3.0	DBM-16B
							0.8... 8.0	DBM-16D
							1.5... 15	DBM-16E
							3.0... 30	DBM-16F
							5.0... 50	DBM-16G



DBM-12/-16

Special options, add the appropriate letter

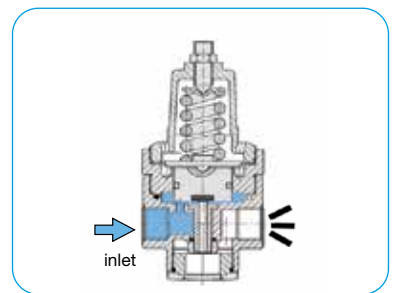
NPT	connection thread		DBM-... N
down to -40 °C / -40 °F	low temperature version		DBM-... X51
up to 130 °C / 266 °F	high temperature version		DBM-0... X54
EPDM o-ring	PTFE diaphragm		DBM-... E
T-handle	instead of knob		DBM-0... T
flange connection	see chapter for stainless steel devices / flanges		DBM-... F.
nitrogen	N $_2$: 07	carbon dioxide CO $_2$: 03	argon Ar: DBM-... 05
helium	He: 09	hydrogen H $_2$: 11	methane CH $_4$: DBM-... 13
oxygen	O $_2$: 15	propane C $_3$ H $_8$: 16	nitrous oxide N $_2$ O: DBM-... 17
		water H $_2$ O: DBM-... W	



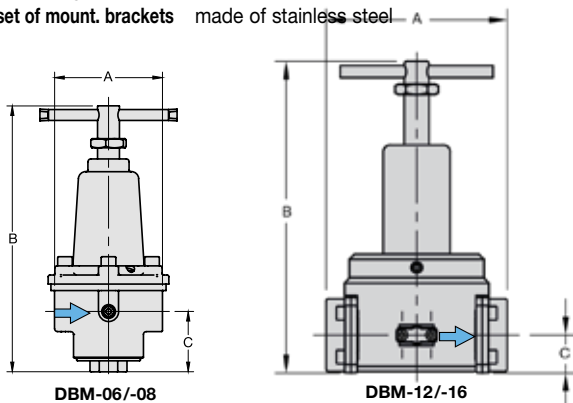
cross-section with diaphragm (D)

Accessories, enclosed

pressure gauge	Ø 50 mm, 0...*2 bar, G $\frac{1}{4}$	for G $\frac{1}{4}$ and G $\frac{1}{2}$	MA5002-...*2
	Ø 63 mm, 0...*2 bar, G $\frac{1}{4}$	for G $\frac{3}{4}$ to G2	MA6302-...*2
	Ø 50 / Ø 63 mm, 0...25 bar, G $\frac{1}{4}$	für G $\frac{1}{4}$ bis G2	MA...02-25
	Ø 50 / Ø 63 mm, 0...60 bar, G $\frac{1}{4}$	für G $\frac{1}{4}$ bis G2	MA...02-60
mounting bracket	made of stainless steel	for G $\frac{1}{4}$ and G $\frac{3}{8}$	BW35-01S
mounting nut	made of stainless steel	for G $\frac{1}{4}$ and G $\frac{3}{8}$	M35x1,5S
mounting bracket	made of stainless steel	for G $\frac{1}{2}$	BW50-01S
mounting nut	made of stainless steel	for G $\frac{1}{2}$	M50x1,5S
mounting bracket	made of steel	for G $\frac{3}{4}$ and G1	BW00-42
set of mount. brackets	made of stainless steel	for G $\frac{1}{2}$ and G2	BW00-63S



cross-section with piston (P)



DBM-06/-08

DBM-12/-16

*1 at 7 bar overpressure and open outlet

*2 02 = 0...2.5 bar, 04 = 0...4 bar, 06 = 0...6 bar, 10 = 0...10 bar, 16 = 0...16 bar, 25 = 0...25 bar, 60 = 0...60 bar

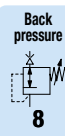
Gauges: see chapter for measuring devices

PDF CAD
www.aircom.net

* Product group

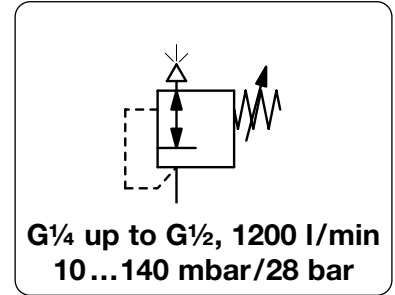


Order example:
DBM-12A



PRECISION BACK PRESSURE REGULATOR OF ADVANCED ACCURACY, UP TO 35 BAR 10BP

Description	The back pressure regulator is a high-flow, high-precision pneumatic relief valve with adjustable setpoint. It provides protection against overpressure in the downstream section of pneumatic systems. A convoluted diaphragm provides the sensitivity for venting to the atmosphere in response to the slightest upstream change.
Media	compressed air or non-corrosive gases
Overpressure	max. 21 bar up to pressure range of 14 bar, max. 35 bar beyond
Adjustment	by handwheel with locknut
Gauge port	G $\frac{1}{4}$ on both sides of the body, screw plugs supplied
Mounting position	any
Temperature range	0 °C to 90 °C / 32 °F to 194 °F, for appropriately conditioned compressed air down to -40 °C / -40 °F
Material	Body: aluminium die-cast Elastomer: NBR/Buna-N, optionally FKM Inner valve: stainless steel and brass

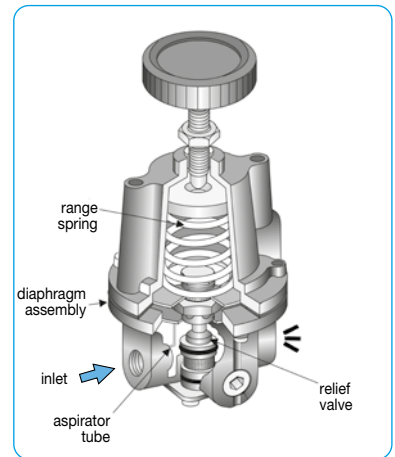


Dimensions			Relief capacity l/min*1	Over-pressure max. bar	Connection thread G	Adjustment range bar	Order number
A	B	C					

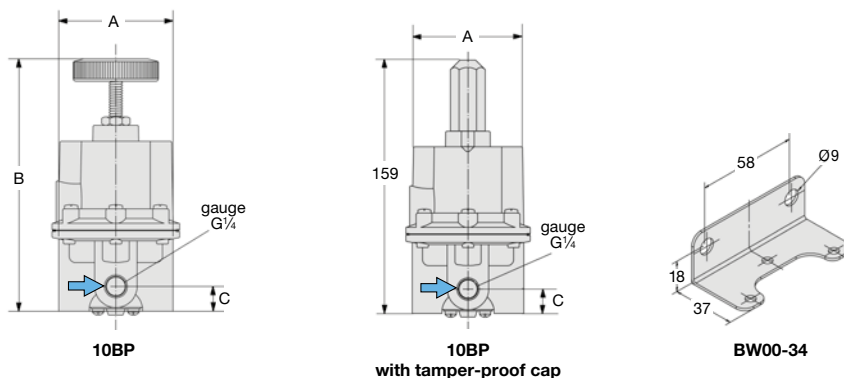
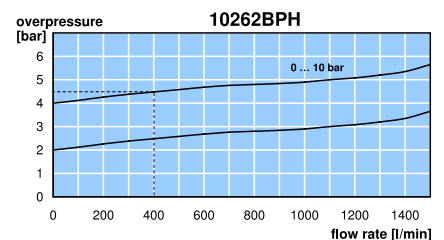
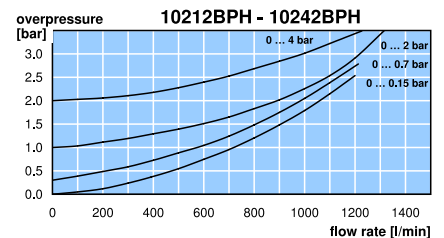
Precision back pressure regulator							overpressure max. 21/35 bar	Model 10BP
67	162	19	1200	21	G $\frac{1}{4}$	0.01 ... 0.14	10212BPH	
						0.01 ... 0.7	10222BPH	
						0.01 ... 2.1	10232BPH	
						0.07 ... 4.1	10242BPH	
						0.14 ... 10	10262BPH	
						0.20 ... 14	10272BPH	
67	171	19	1200	35	G $\frac{1}{4}$	0.30 ... 21	10282BPH	
						0.30 ... 28	10292BPH	



Special options, add the appropriate letter		
G $\frac{3}{8}$	connection thread	102.3BPH
G $\frac{1}{2}$	connection thread, recommended for mbar range	102.4BPH
NPT	connection thread	102.2BP
FKM elastomer		102. .BP . J
free of non-ferrous metal	FKM elastomer	102. .BP . X63
tamper-proof cap	aluminium, adjustment by screwdriver, total height 159 mm	102. .BP . T



Accessories, enclosed		
pressure gauge	Ø 50 mm, 0...*2 bar, G $\frac{1}{4}$ Ø 50 mm, 0... 25 bar, G $\frac{1}{4}$ Ø 50 mm, 0... 60 bar, G $\frac{1}{4}$ Ø 63 mm, 0...160 mbar, G $\frac{1}{4}$	MA5002-...*2 MA5002-25 MA5002-60 MA6302-C2 BW00-34
mounting bracket	made of steel	



*1 at 5 bar overpressure and open outlet
*2 01 = 0...1 bar, 02 = 0...2.5 bar, 06 = 0...6 bar, 10 = 0...10 bar, 16 = 0...16 bar, 25 = 0...25 bar, 60 = 0...60 bar

Gauges: see chapter for measuring devices

PDF CAD
www.aircom.net

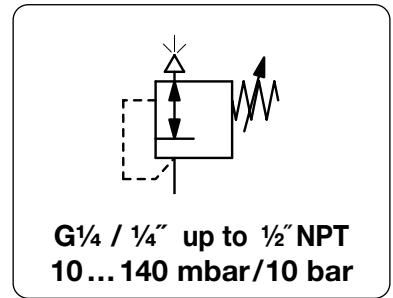
* Product group

Order example:
10212BPH

PRECISION BACK PRESSURE REGULATOR

DB240

Description	The back pressure regulator is a high-flow, high-precision pneumatic relief valve with adjustable setpoint. It provides protection against overpressure in the downstream section of pneumatic systems. A convoluted diaphragm provides the sensitivity for venting to the atmosphere in response to the slightest upstream change.
Media	compressed air or non-corrosive gases
Overpressure	max. 17 bar
Adjustment	by handwheel with locknut
Gauge port	G $\frac{1}{4}$ on both sides of the body, screw plugs supplied
Mounting position	any
Temperature range	0 °C to 70 °C / 32 °F to 158 °F, for appropriately conditioned compressed air down to -40 °C / -40 °F
Material	Body: aluminium die-cast Elastomer: NBR/Buna-N Inner valve: stainless steel and brass



Dimensions			Relief capacity l/min*1	Over-pressure max. bar	Connection thread G	Adjustment range bar	Order number
A	B	C					
mm	mm	mm					

Precision back pressure regulator							overpressure max. 17 bar	DB240
67	154	19	1100	17	G $\frac{1}{4}$	0.01 ... 0.14	DB240-020	
						0.01 ... 1.0	DB240-02A	
						0.01 ... 2.0	DB240-02B	
						0.07 ... 4.0	DB240-02C	
						0.14 ... 10	DB240-02D	



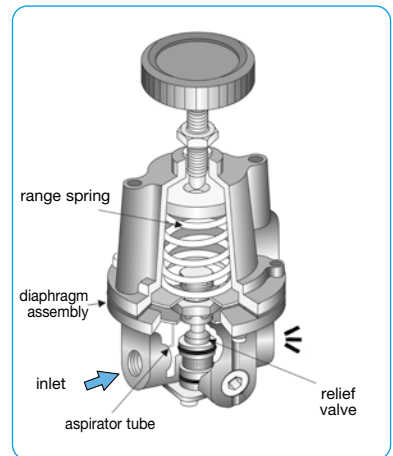
DB240

Special options, add the appropriate letter

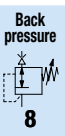
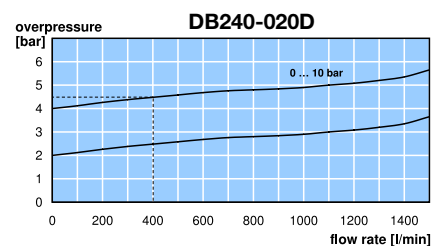
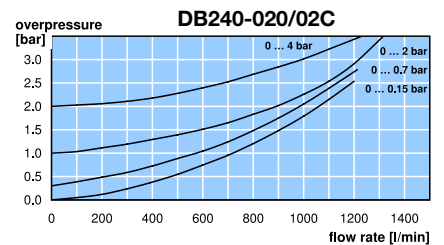
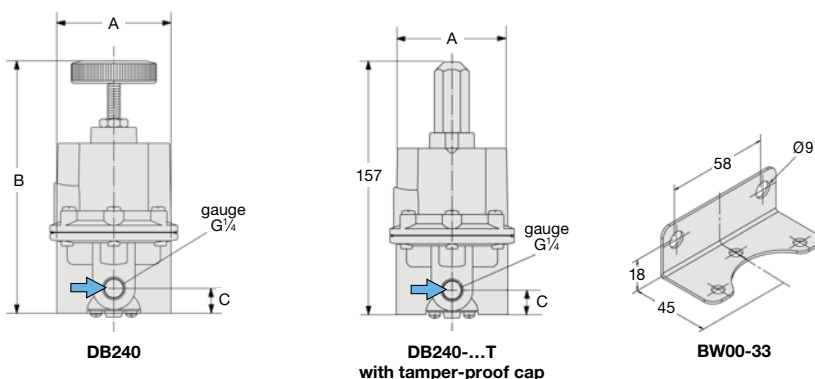
$\frac{1}{4}$" NPT	connection thread	DB240-02 . N
$\frac{3}{8}$" NPT	connection thread	DB240-03 . N
$\frac{1}{2}$" NPT	connection thread, recommended for mbar range	DB240-04 . N
tamper-proof cap	aluminium, adjustment by screwdriver, total height 157 mm	DB240-0 . . T

Accessories, enclosed

pressure gauge	\varnothing 50 mm, 0...*2 bar, G $\frac{1}{4}$, Bourdon tube, from 1 bar on	MA5002-...*2
	\varnothing 63 mm, 0...160 mbar, G $\frac{1}{4}$, capsule type	MA6302- C2
mounting bracket	made of steel	BW00-33



cross-section



*1 at 5 bar overpressure and open outlet
*2 01 = 0...1 bar, 02 = 0...2.5 bar, 06 = 0...6 bar, 10 = 0...10 bar, 16 = 0...16 bar

* Product group

Gauges: see chapter for measuring devices

PDF CAD
www.aircom.net



Order example:
DB240-020

Description Diaphragm back pressure regulators protect pneumatic devices against overpressure. If the pressure exceeds the setpoint, the pressure valve exhausts to the atmosphere until the pressure level is below the setpoint. It is advisable to select the pressure range as near as possible to the maximum setpoint.

Media compressed air or non-corrosive gases

Recommendation connection thread G½ for pressure range 0...35 / 140 / 280 mbar

Overpressure max. 4 bar

Accuracy response sensitivity <2 mbar

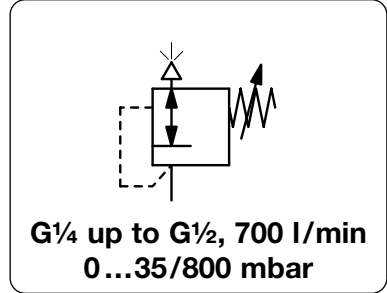
Adjustment by handwheel with locknut

Gauge port G¼ on both sides of the body, screw plugs supplied

Mounting position any

Temperature range 0 °C to 90 °C / 32 °F to 194 °F, for appropriately conditioned compressed air down to -40 °C / -40 °F

Material Body: aluminium die-cast
Elastomer: NBR/Buna-N, optionally FKM
Inner valve: stainless steel and brass



Dimensions			Relief capacity l/min*1	Over-pressure max. bar	Connection thread G	Adjustment range mbar	Order number	D*
A	B	C						

Low back pressure regulator							overpressure max. 4 bar	DB110
67	180	25	700	4	G¼	2... 35	DB110-020	
						2... 140	DB110-02A	
						2... 280	DB110-02B	
						2... 400	DB110-02C	
						2... 800	DB110-02D	
67	180	25	700	4	G½	2... 35	DB110-040	
						2... 140	DB110-04A	
						2... 280	DB110-04B	
						2... 400	DB110-04C	
						2... 800	DB110-04D	



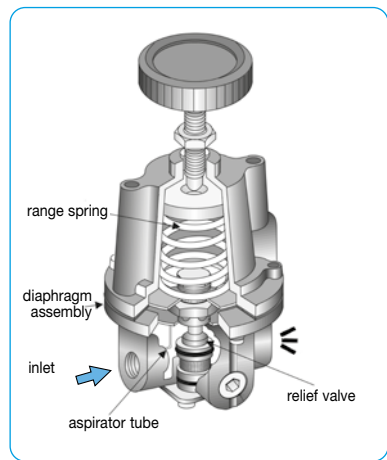
DB110

Special options, add the appropriate letter

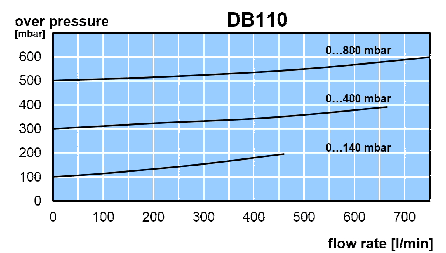
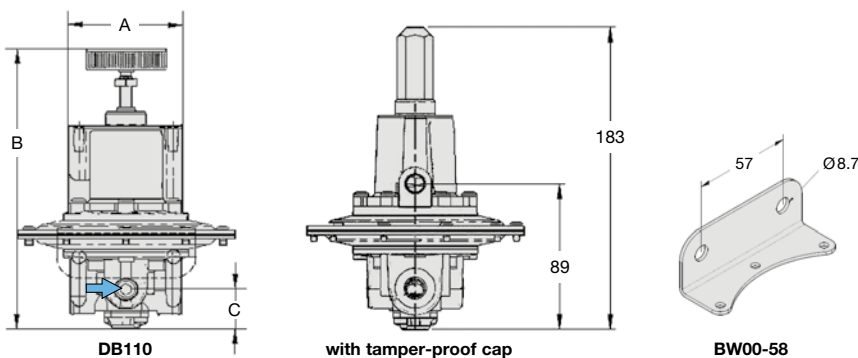
G¾	connection thread	DB110-03.
NPT	connection thread	DB110-0.. N
FKM elastomer		DB110-0.. V
tamper-proof cap	aluminium, adjustment by screwdriver, total height 183 mm	DB110-0.. T

Accessories, enclosed

pressure gauge	Ø 63 mm, 0...*2 mbar, G¼, capsule type	MA6302-...*2
	Ø 63 mm, 0... 1 bar, G¼, Bourdon tube	MA6302-01
connecting parts gauge	at NPT connection thread, adapter ¼" NPT - G¼i	VP-0202N
mounting bracket	made of steel	BW00-58

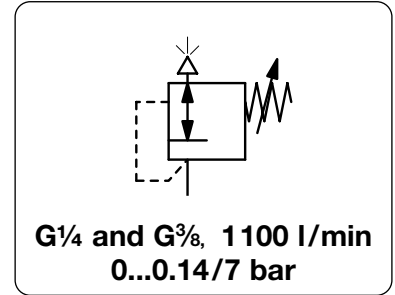


functional principle



*1 at 200 mbar overpressure and open outlet
*2 B6 = 0...60 mbar, C2 = 0...160 mbar, C3 = 0...250 mbar, C4 = 0...400 mbar

Description	Diaphragm back pressure regulators protect pneumatic devices against overpressure. If the pressure exceeds the setpoint, the pressure valve exhausts to the atmosphere until the pressure level is below the setpoint. It is advisable to select the pressure range as near as possible to the maximum setpoint.
Media	compressed air or non-corrosive gases
Overpressure	max. 10 bar
Accuracy	response sensitivity <2 mbar
Adjustment	by handwheel with locknut
Gauge port	G $\frac{1}{8}$ on both sides of the body, screw plugs supplied
Mounting position	any
Temperature range	0 °C to 90 °C / 32 °F to 194 °F, for appropriately conditioned compressed air down to -40 °C / -40 °F
Material	Body: aluminium die-cast Elastomer: NBR/Buna-N, optionally FKM Inner valve: brass



Dimensions			Relief capacity l/min*1	Over-pressure max. bar	Connection thread G	Adjustment range mbar	Order number	D*
A	B	C						

Precision back pressure regulator							overpressure max. 10 bar	DB300
57	126	19	1100	10	G $\frac{1}{4}$	0.001... 0.14	DB300-020	
						0.01 ... 0.7	DB300-021	
						0.03 ... 2.0	DB300-02A	
						0.07 ... 4.0	DB300-02B	
						0.14 ... 7.0	DB300-02C	
57	126	19	1100	10	G $\frac{3}{8}$	0.001... 0.14	DB300-030	
						0.01 ... 0.7	DB300-031	
						0.03 ... 2.0	DB300-03A	
						0.07 ... 4.0	DB300-03B	
						0.14 ... 7.0	DB300-03C	



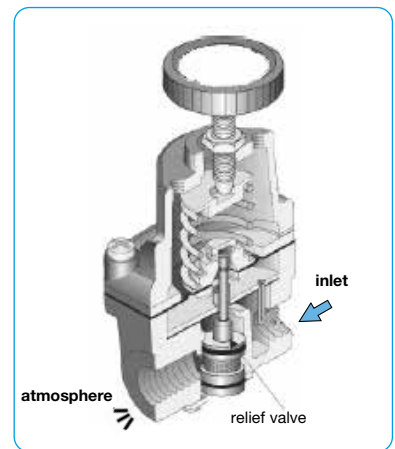
DB300

Special options, add the appropriate letter

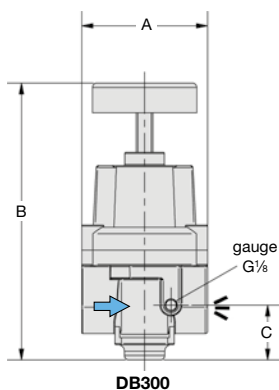
NPT	connection thread	DB300-0..N
tamper-proof cap	aluminium, adjustment by screwdriver, total height 141 mm	DB300-0..T
FKM elastomer		DB300-0..V

Accessories, enclosed

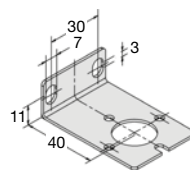
pressure gauge	Ø 63 mm, 0... 160 mbar, G $\frac{1}{4}$ -connecting parts required	MA6302-C2
	Ø 50 mm, 0...*2 bar, G $\frac{1}{8}$	MA5001-...*2
connecting parts gauge	for MA6302-C2	AM-04
mounting bracket	made of steel	BW00-46



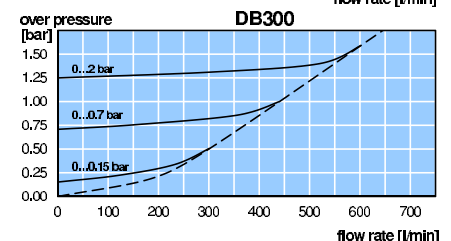
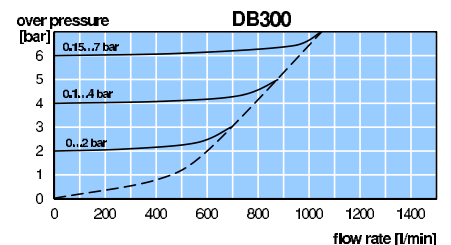
cross-section



DB300



BW00-46



*1 at 7 bar overpressure and open outlet
*2 01 = 0...1 bar, 02 = 0...2.5 bar, 04 = 0...4 bar, 10 = 0...10 bar

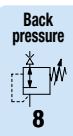
* Product group

Gauges: see chapter for measuring devices

PDF CAD
www.aircom.net



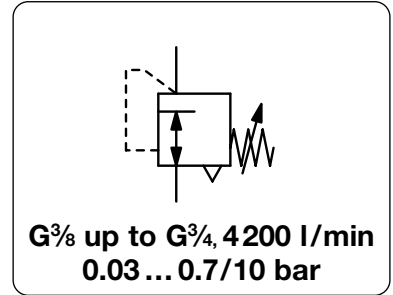
Order example:
DB300-020



PRECISION BACK PRESSURE REGULATOR

DB400

Description	Diaphragm back pressure regulators protect pneumatic devices against overpressure. If the pressure exceeds the setpoint, the pressure valve exhausts to the atmosphere until the pressure level is below the setpoint. It is advisable to select the pressure range as near as possible to the maximum setpoint.
Media	compressed air or non-corrosive gases
Overpressure	max. 17 bar
Adjustment	by handwheel with locknut
Gauge port	G $\frac{1}{4}$ on both sides of the body, screw plugs supplied
Mounting position	any
Temperature range	0 °C to 90 °C / 32 °F to 194 °F, for appropriately conditioned compressed air down to -40 °C / -40 °F
Material	Body: aluminium die-cast Elastomer: NBR/Buna-N, optionally FKM Inner valve: stainless steel, brass, aluminium and cadmium-plated steel



Dimensions			Relief capacity l/min*1	Over-pressure max. bar	Connection thread G	Adjustment range bar	Order number
A	B	C					
mm	mm	mm					

Precision back pressure regulator							overpressure max. 17 bar	DB400
89	206	39	3800	17	G $\frac{3}{8}$	0.03 ... 0.7		DB400-031
						0.03 ... 2.0		DB400-03A
						0.07 ... 4.0		DB400-03B
						0.15 ... 10		DB400-03C
89	206	39	4000	17	G $\frac{1}{2}$	0.03 ... 0.7		DB400-041
						0.03 ... 2.0		DB400-04A
						0.07 ... 4.0		DB400-04B
						0.15 ... 10		DB400-04C
89	206	39	4200	17	G $\frac{3}{4}$	0.03 ... 0.7		DB400-061
						0.03 ... 2.0		DB400-06A
						0.07 ... 4.0		DB400-06B
						0.15 ... 10		DB400-06C



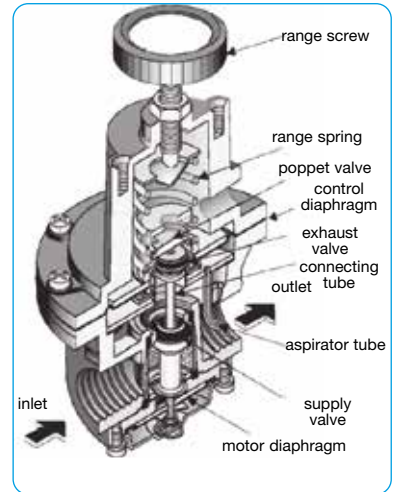
DB400

Special options, add the appropriate letter

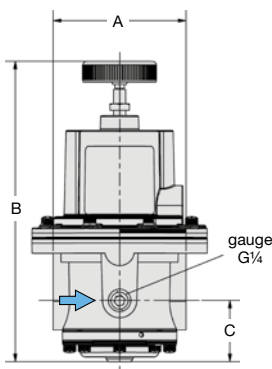
NPT	connection thread	DB400-0..N
tamper-proof cap	aluminium, adjustment by screwdriver, total height 295 mm	DB400-0..T
FKM elastomer		DB400-0..V

Accessories, enclosed

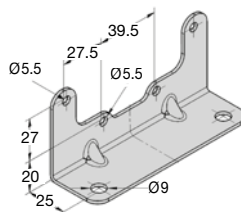
pressure gauge	Ø 63 mm, 0...*2 bar, G $\frac{1}{4}$	MA6302-...*2
mounting bracket	made of steel	BW00-47



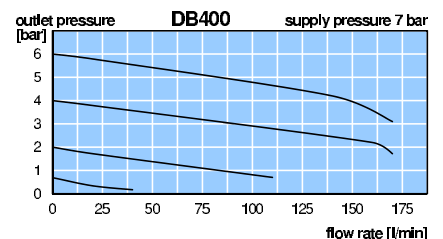
cross-section



DB400



BW00-47



*1 at 7 bar inlet pressure and 1.4 bar outlet pressure
*2 01 = 0...1 bar, 02 = 0...2.5 bar, 04 = 0...4 bar, 10 = 0...10 bar, 25 = 0...25 bar

* Product group

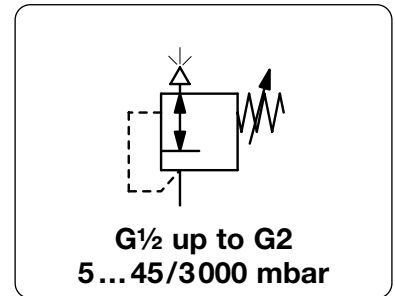
Gauges: see chapter for measuring devices

PDF CAD
www.aircom.net



Order example:
DB400-031

Description	Diaphragm back pressure regulators protect pneumatic devices against overpressure. If the pressure exceeds the setpoint, the pressure valve exhausts to the atmosphere until the pressure level is below the setpoint. It is advisable to select the pressure range as near as possible to the maximum setpoint.
Media	compressed air or non-corrosive gases
Overpressure	max. 6 bar
Adjustment	by handwheel with locknut for DBC-04 by hexagonal spindle (spanner size 24 mm) with locknut for DBC-08/-16
Gauge port	G $\frac{1}{4}$ for operation pressure, on both sides of the body, connection parts required
Mounting position	any
Temperature range	-20 °C to 60 °C / -4 °F to 140 °F
Material	Body: aluminium Diaphragm: NBR/Buna-N with PTFE coating O-rings: NBR/Buna-N, optionally FKM or EPDM Inner valve: brass



Dimensions			Relief capacity l/min*1	Over-pressure max. bar	Connection thread G	Adjustment range mbar	Order number
A	B	C					
mm	mm	mm					

Aluminium back pressure regulator			NBR/Buna-N with PTFE coating		DBC		
82	186	38	300	1	G $\frac{1}{2}$	5... 45	DBC-04N
			500			20... 200	DBC-04P
			1000			150... 700	DBC-04Q
161	290	45	1300	6	G $\frac{3}{4}$	50... 300	DBC-06P
			2300			100... 700	DBC-06Q
			5000			200... 1200	DBC-06R
161	290	45	1300	6	G1	50... 300	DBC-08P
			2300			100... 700	DBC-08Q
			5000			200... 1200	DBC-08R
265	290	45	1300	6	G1 $\frac{1}{4}$	50... 300	DBC-10P
			2300			100... 700	DBC-10Q
			5000			200... 1200	DBC-10R
265	290	45	1300	6	G1 $\frac{1}{2}$	50... 300	DBC-1AP
			2300			100... 700	DBC-1AQ
			5000			200... 1200	DBC-1AR
192	444	128	2500	6	G1 $\frac{1}{2}$	20... 50	DBC-12N
			5000			50... 150	DBC-12P
			7500			150... 300	DBC-12Q
			10000			300... 3000	DBC-12R
192	444	128	2500	6	G2	20... 50	DBC-16N
			5000			50... 150	DBC-16P
			7500			150... 300	DBC-16Q
			10000			300... 3000	DBC-16R



DBC-04



DBC-06/-08



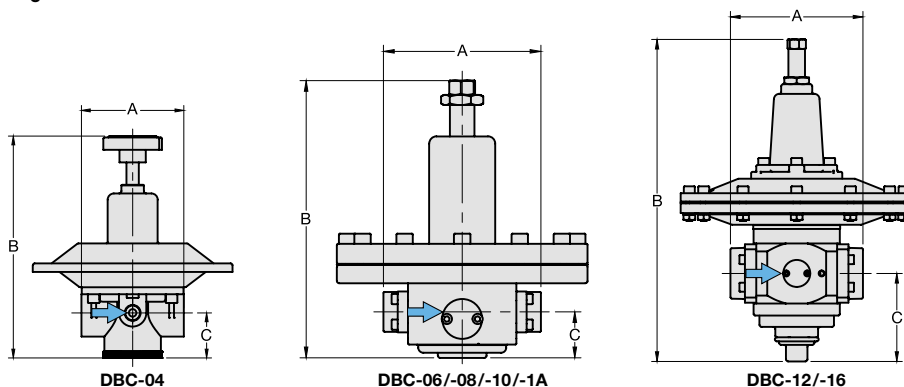
DBC-12/-16

Special options, add the appropriate letter

NPT	connection thread	DBC-... N
FKM o-ring	PTFE-diaphragm	DBC-... V
EPDM o-ring	PTFE-diaphragm	DBC-... E
flange connection	see chapter for stainless steel devices / flanges	DBC-... F.

Accessories, enclosed

pressure gauge	Ø 63 mm, 0...*2 mbar, G $\frac{1}{4}$, capsule type, up to 400 mbar	MA6302-...*2
	Ø 63 mm, 0...*2 bar, G $\frac{1}{4}$, Bourdon tube, up 1 bar	MA6302-...*2
connection parts	required for pressure gauge	AM-01
mounting bracket	made of stainless steel	BW00-26S



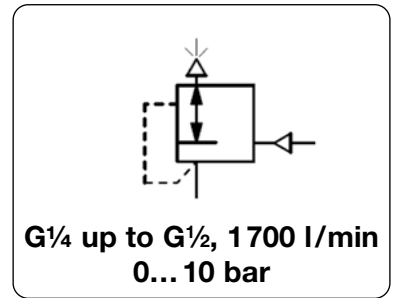
*1 at 6 bar overpressure and open outlet
*2 B6 = 0...60 mbar, C2 = 0...160 mbar, C4 = 0...400 mbar, C01 = 0...1 bar, 04 = 0...4 bar, 06 = 0...6 bar

Gauges: see chapter for measuring devices

PDF CAD
www.aircom.net

* Product group
 Order example:
DBC-04N

Description	Diaphragm back pressure regulators protect pneumatic devices against overpressure. If the pressure exceeds the setpoint, the pressure valve exhausts to the atmosphere until the pressure level is below the setpoint. It is advisable to select the pressure range as near as possible to the maximum setpoint.		
Media	compressed air or non-corrosive gases		
Overpressure	max. 17 bar	Pilot pressure	0 ... 10 bar
Accuracy	1% at 7 bar pilot pressure	Response sensitivity	1 mbar
Adjustment	depending on the level of signal pressure the response value will change accordingly		
Gauge port	G $\frac{1}{4}$ on both sides of the body, screw plugs supplied	Mounting position	any
Temperature range	0 °C to 90 °C / 32 °F to 194 °F, for appropriately conditioned compressed air down to -40 °C / -40 °F		
Material	Body: aluminium die casting O-rings: NBR/Buna-N, optionally FKM	Elastomer:	NBR/Buna-N Inner valve: brass and zinc-plated steel



Dimensions			Relief capacity l/min*1	Over-pressure max. bar	Adjustment range bar	Connection thread G	Order number
A	B	C					
mm	mm	mm					

Back pressure regulator, pilot-operated							pilot pressure overpressure	0...10 bar max. 17 bar	DB208
76	98	24	1700	17	0... 10	G $\frac{1}{4}$		DB208-02	
						G $\frac{3}{8}$		DB208-03	
						G $\frac{1}{2}$		DB208-04	



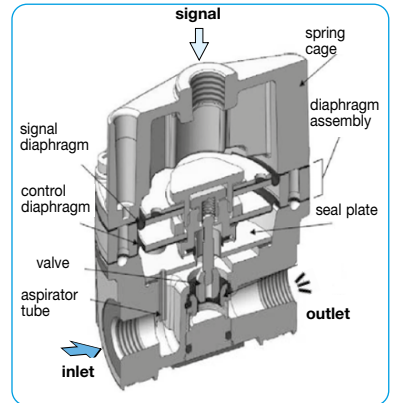
DB208

Special options, add the appropriate letter

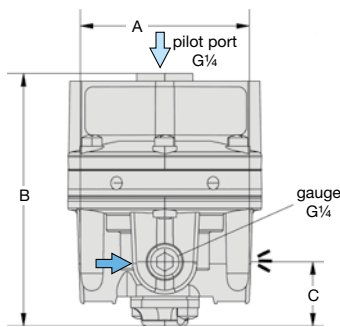
NPT	connection thread	DB208-0.N
FKM elastomer		DB208-0.V

Accessories, enclosed

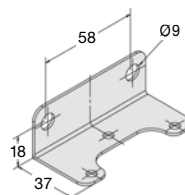
pressure gauge	Ø 50 mm, 0...*2 bar, G $\frac{1}{4}$	MA5002-...*2
mounting bracket	made of steel	BW00-34



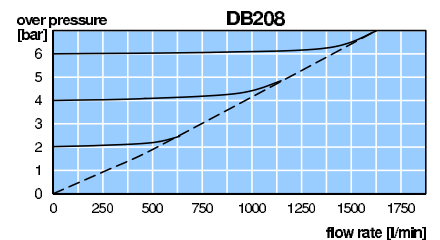
cross-section



DB208



BW00-34



*1 at 7 bar inlet pressure and open outlet
*2 02 = 0...2.5 bar, 04 = 0...4 bar, 06 = 0...6 bar, 10 = 0...10 bar

* Product group

Gauges: see chapter for measuring devices

PDF CAD
www.aircom.net

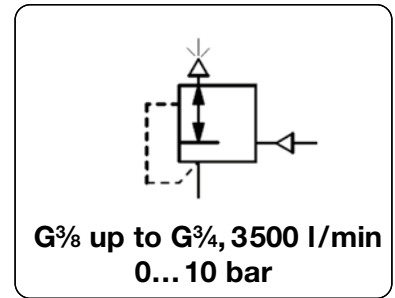


Order example:
DB208-02

PRECISION BACK PRESSURE REGULATOR, PILOT-OPERATED

DB450

Description	Diaphragm back pressure regulators protect pneumatic devices against overpressure. If the pressure exceeds the setpoint, the pressure valve exhausts to the atmosphere until the pressure level is below the setpoint. It is advisable to select the pressure range as near as possible to the maximum setpoint.		
Media	compressed air or non-corrosive gases		
Overpressure	max. 17 bar	Pilot pressure	0 ... 10 bar
Accuracy	3% at 7 bar pilot pressure	Response sensitivity	2.5 mbar
Adjustment	depending on the level of signal pressure the response value will change accordingly		
Gauge port	G $\frac{1}{4}$ on both sides of the body, screw plugs supplied	Mounting position	any
Temperature range	0 °C to 90 °C / 32 °F to 194 °F, for appropriately conditioned compressed air down to -40 °C / -40 °F		
Material	Body: aluminium die casting O-rings: NBR/Buna-N, optionally FKM	Elastomer:	NBR/Buna-N
		Inner valve:	brass and aluminium



Dimensions			Relief capacity l/min*1	Over- pressure max. bar	Adjustment range bar	Connection thread G	Order number
A	B	C					
mm	mm	mm					

Back pressure regulator, pilot-operated							pilot pressure overpressure	0...10 bar max. 17 bar	DB450
87	129	40	3500	17	0... 10	G $\frac{3}{8}$		DB450-03	
						G $\frac{1}{2}$		DB450-04	
						G $\frac{3}{4}$		DB450-06	



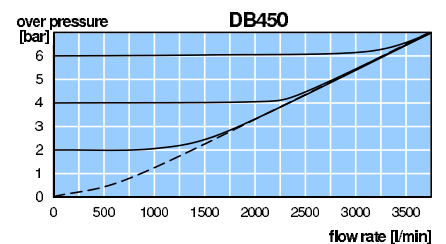
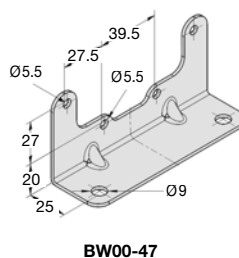
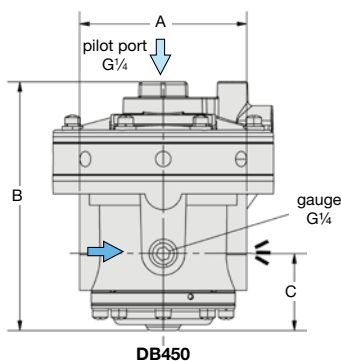
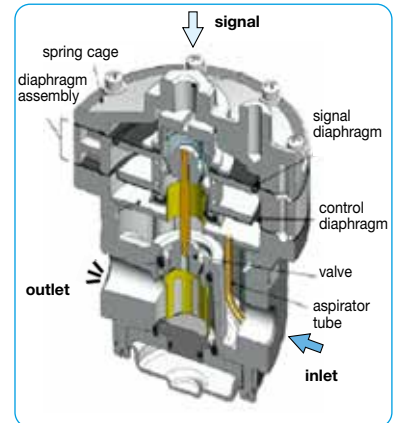
DB450

Special options, add the appropriate letter

NPT	connection thread	DB450-0. N
FKM elastomer		DB450-0. V

Accessories, enclosed

pressure gauge	Ø 63 mm, 0...*2 bar, G $\frac{1}{4}$	MA6302-..*2
mounting bracket	made of steel	BW00-47



*1 at 6 bar inlet pressure and open outlet

*2 02 = 0...2.5 bar, 04 = 0...4 bar, 06 = 0...6 bar, 10 = 0...10 bar

* Product group

Gauges: see chapter for measuring devices

PDF CAD
www.aircom.net



Order example:
DB450-03